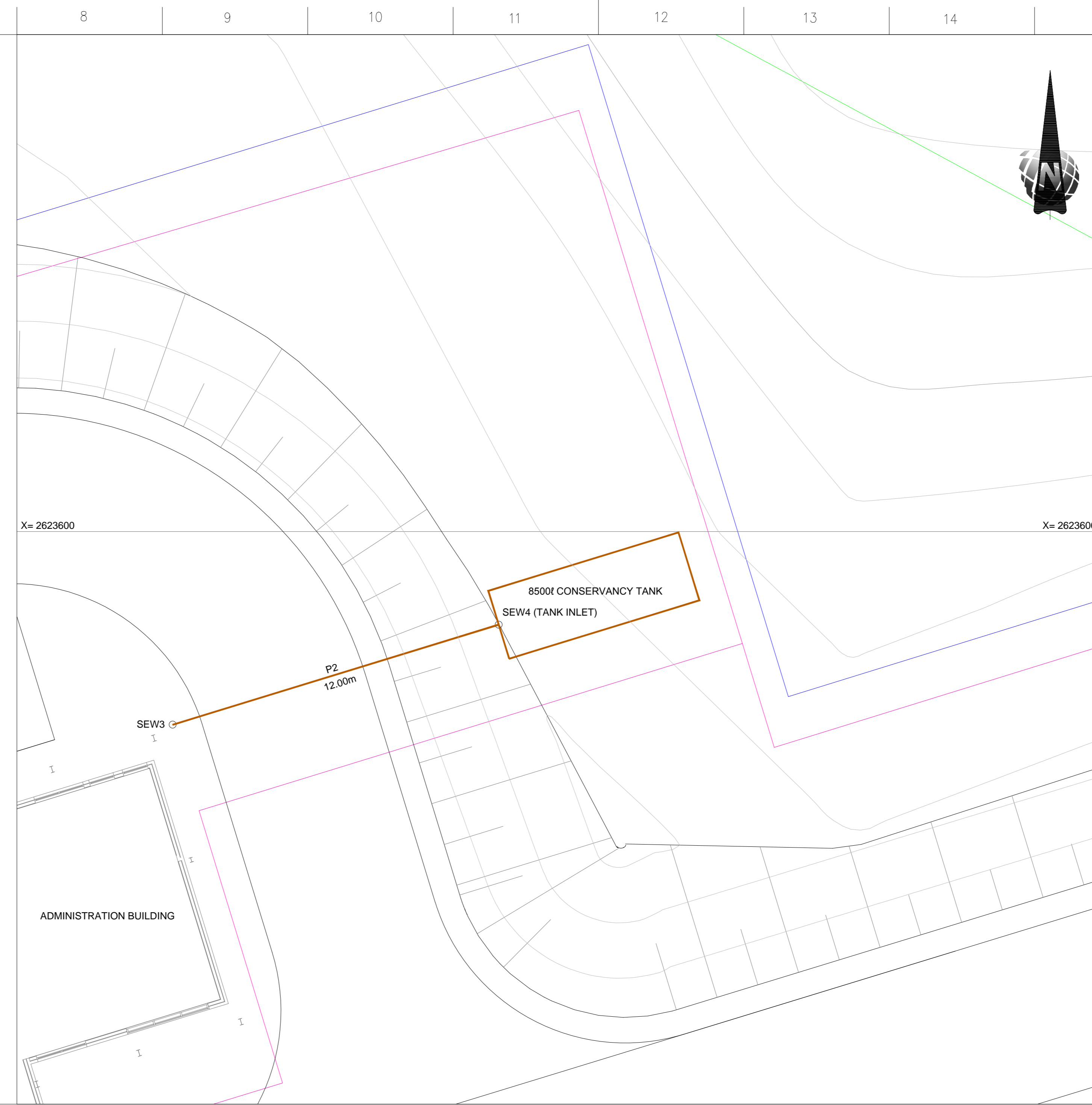




LAYOUT  
SCALE 1:100



LAYOUT  
SCALE 1:100



LAYOUT  
SCALE 1:100

COORDINATE LIST		
WGS Lo27		
GUARD HOUSE SEWER		
MH No.	YLo	XLo
Constant:		
SEW1	-55492.138	2623909.231
SEW2	-55489.555	2623904.950

PIPE  
NGL

SCALES:  
Horizontal 1:1000  
Vertical 1:100

Datum : 906m

DEPTH TO INVERTS	
INVERT LEVEL	GROUND LEVEL
0.000	0.015
0.000	0.012
0.000	0.010
0.000	0.000
1.60	1.667%
1.667%	

PIPE DETAILS	
DESIGN:	Q (l/s)
Q (l/s)	8.00
V (m/s)	1.08
Q (l/s)	8.02
V (m/s)	0.94

COORDINATE LIST		
WGS Lo27		
ADMIN BUILDING SEWER		
MH No.	YLo	XLo
Constant:		
SEW3	-56256.230	2623606.796
SEW4	-56267.703	2623603.278

PIPE  
NGL

SCALES:  
Horizontal 1:1000  
Vertical 1:100

Datum : 902m

DEPTH TO INVERTS	
INVERT LEVEL	GROUND LEVEL
0.000	-2.476
0.000	-0.675
0.000	0.000
0.000	0.000
1.60	1.667%
1.667%	

PIPE DETAILS	
DESIGN:	Q (l/s)
Q (l/s)	8.00
V (m/s)	1.08
Q (l/s)	8.02
V (m/s)	0.94

COORDINATE LIST		
WGS Lo27		
LOCOMOTIVE SHED SEWER		
MH No.	YLo	XLo
Constant:		
SEW5	-56589.803	2623500.941
SEW6	-56585.406	2623486.600

PIPE  
NGL

SCALES:  
Horizontal 1:1000  
Vertical 1:100

Datum : 900m

DEPTH TO INVERTS	
INVERT LEVEL	GROUND LEVEL
0.000	-4.475
0.000	-0.553
0.000	0.000
0.000	0.000
1.60	1.667%
1.667%	

PIPE DETAILS	
DESIGN:	Q (l/s)
Q (l/s)	8.00
V (m/s)	1.08
Q (l/s)	8.02
V (m/s)	0.94

- LEGEND:
- STORMWATER CHANNEL
  - POTABLE WATER
  - FIRE WATER
  - STORMWATER
  - SEWER
  - SECURITY FENCE
  - EXISTING SECURITY FENCE TO BE RELOCATED

D.O	REV	DATE	REVISION	REV	CHKD	APP	BY	DATE	APP	DATE	REFERENCE DRAWINGS

AUTHORIZED FOR ESKOM BY: [Signature]

DESIGNED BY: [Signature]

CHECKED BY: [Signature]

APPROVED BY: [Signature]

SCALE: AS SHOWN

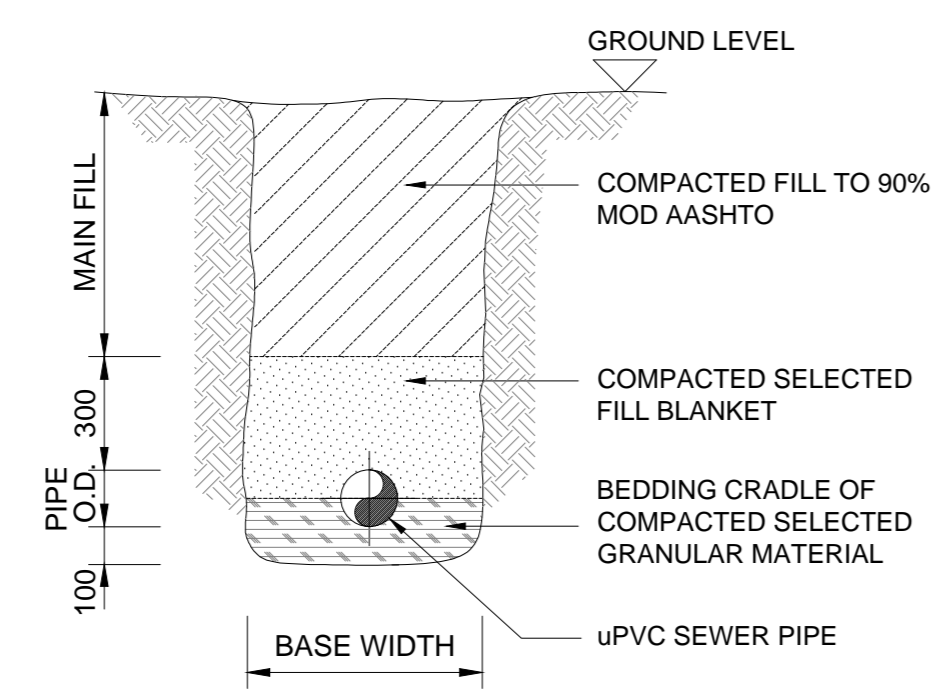
ESKOM  
1184-099-0.84-44321

CONTRACTOR: [Signature]

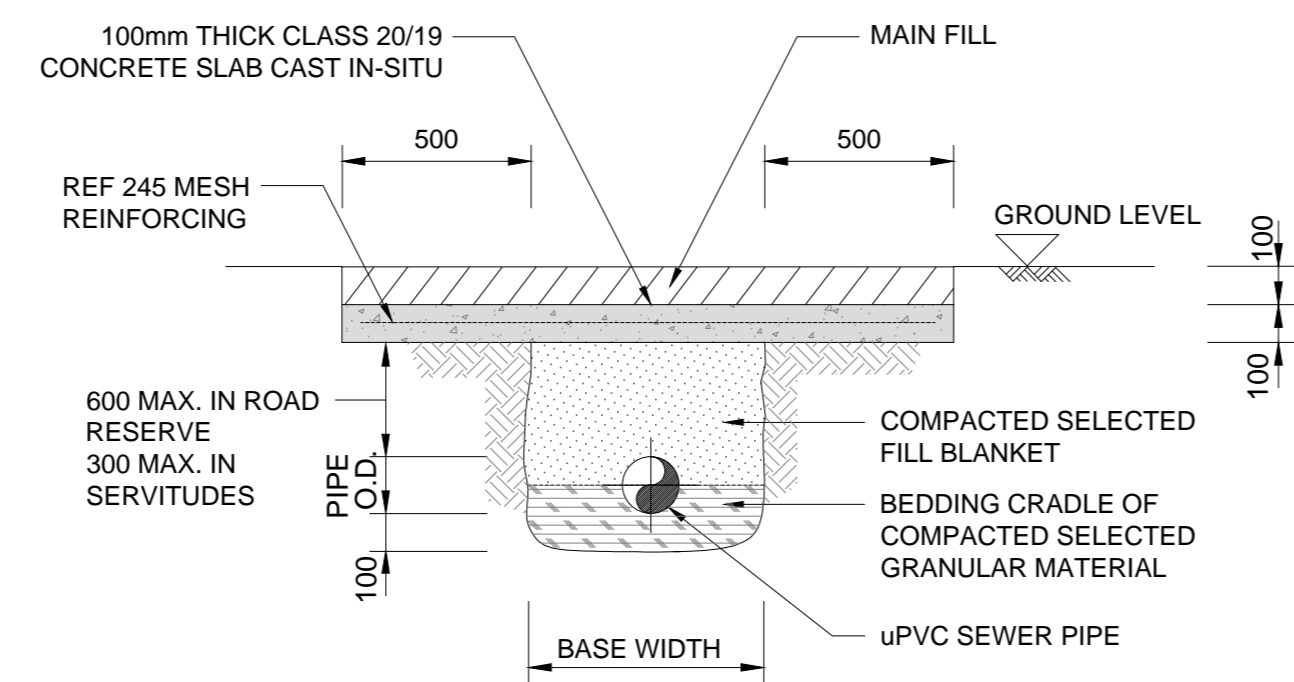
ESKOM DRAWING NO: 0.84/44321

SHT: 01 REV: 0

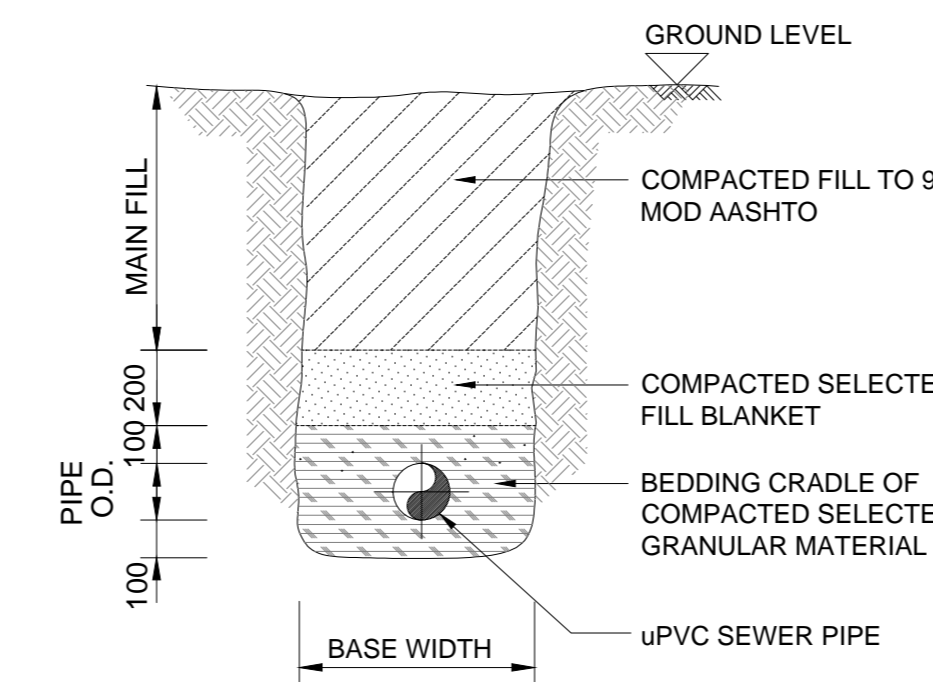
DRAWING CLASSIFICATION: FOR TENDER PURPOSE ONLY AOL



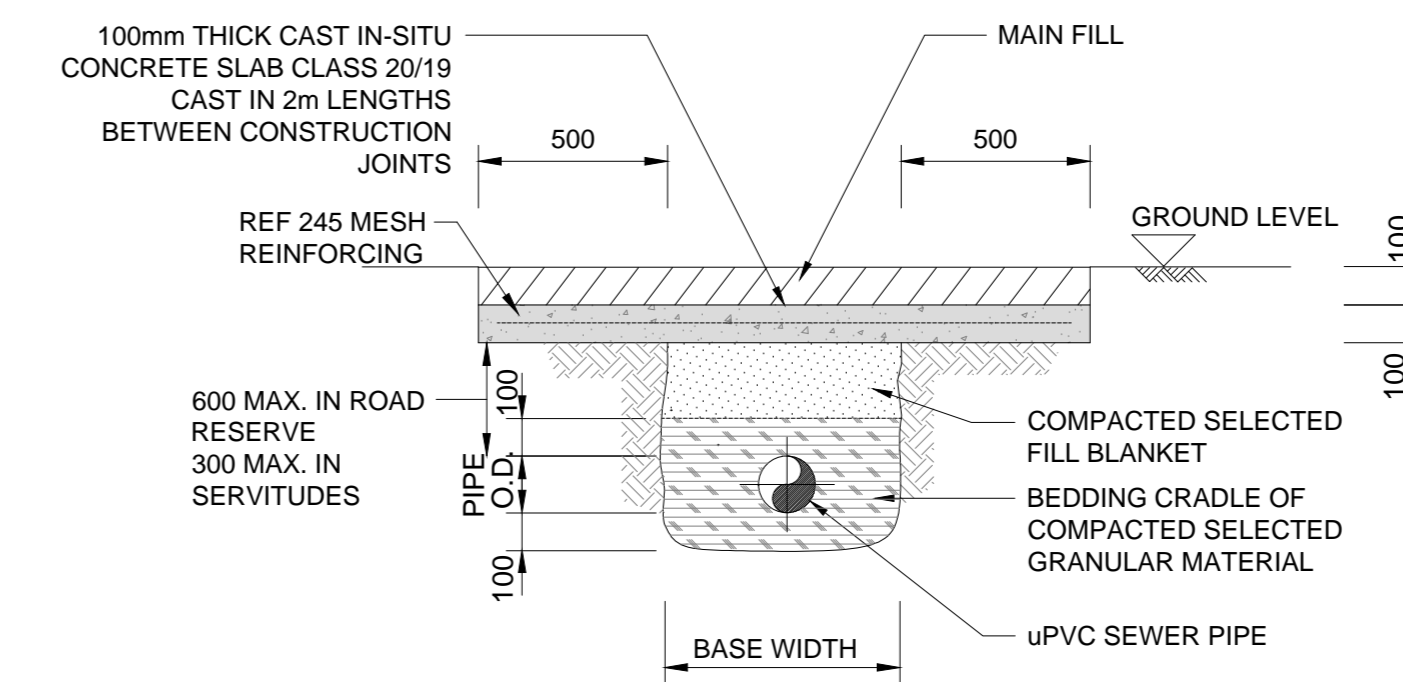
**PIPE BEDDING DETAIL**  
1:20  
(BEDDING TYPE C)



**PIPE PROTECTION DETAIL**  
1:20  
(BEDDING TYPE C)  
(i.e. WHERE COVER TO PIPE IS LESS THAN 600 IN ROAD RESERVE, OR 300 IN SERVITUDES)

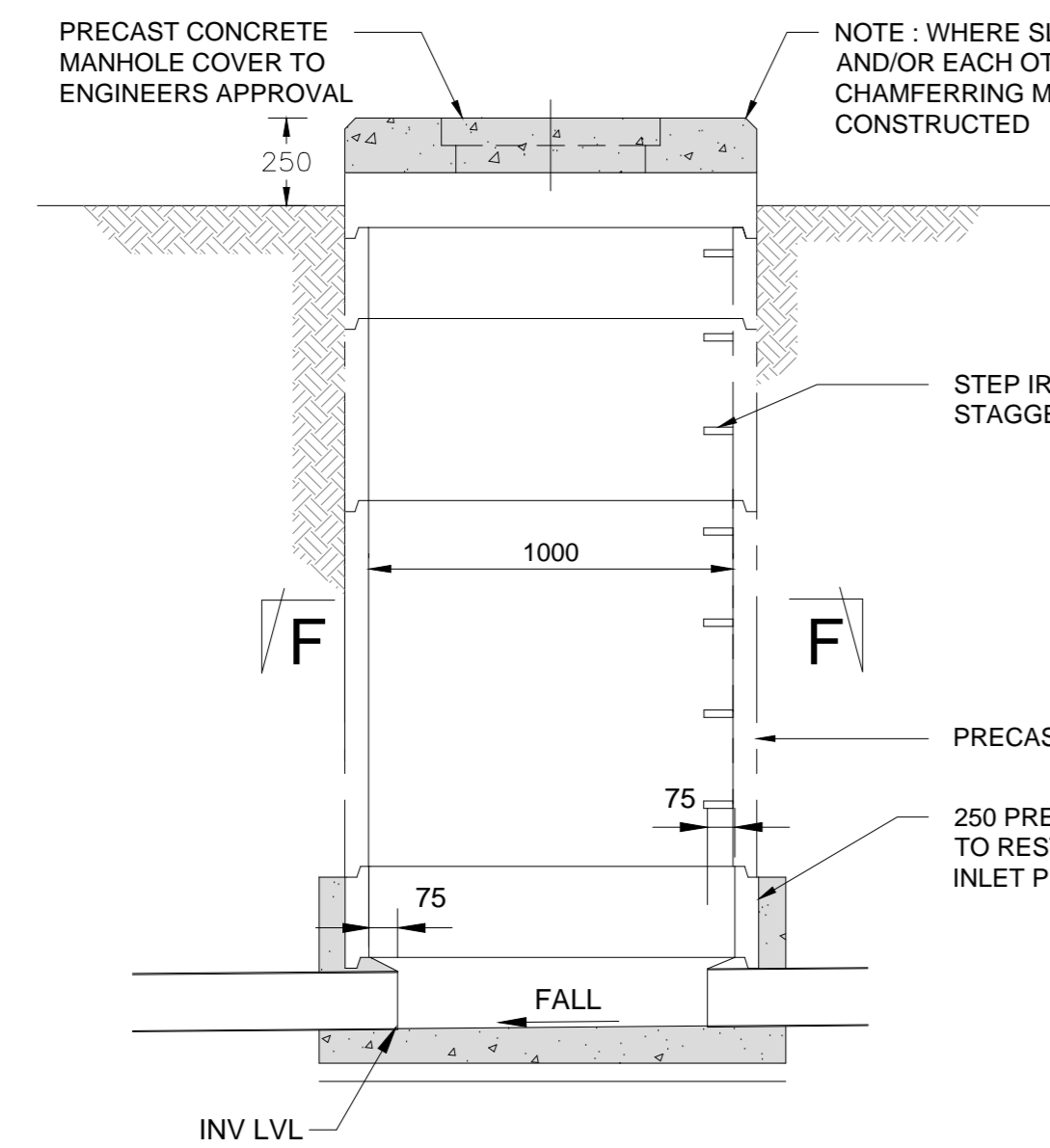


**PIPE BEDDING DETAIL**  
1:20  
(FOR FLEXIBLE PIPES)

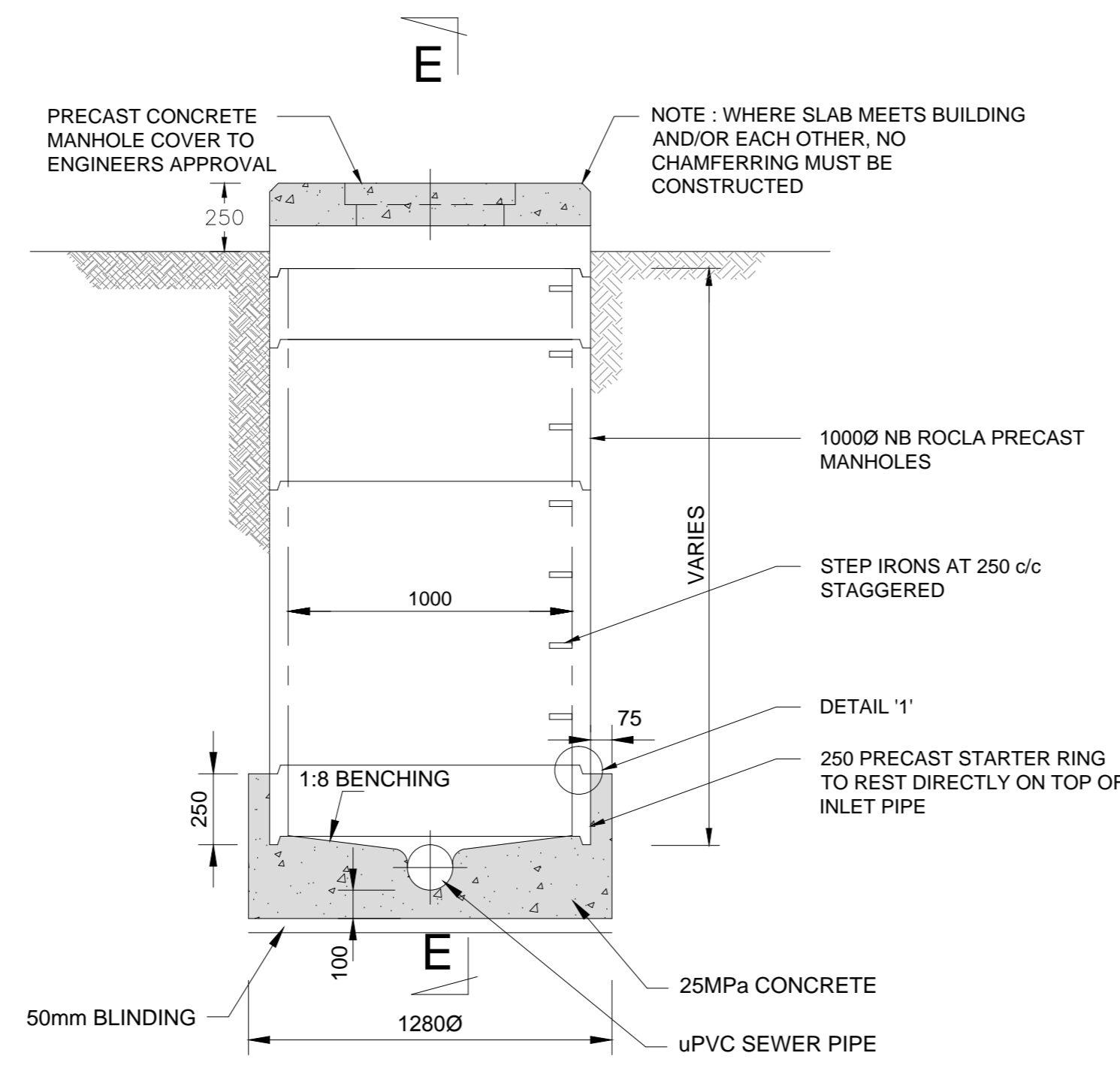


**PIPE PROTECTION DETAIL**  
1:20  
(FOR FLEXIBLE PIPES)  
(i.e. WHERE COVER TO PIPE IS LESS THAN 600 IN ROAD RESERVE, OR 300 IN SERVITUDES)

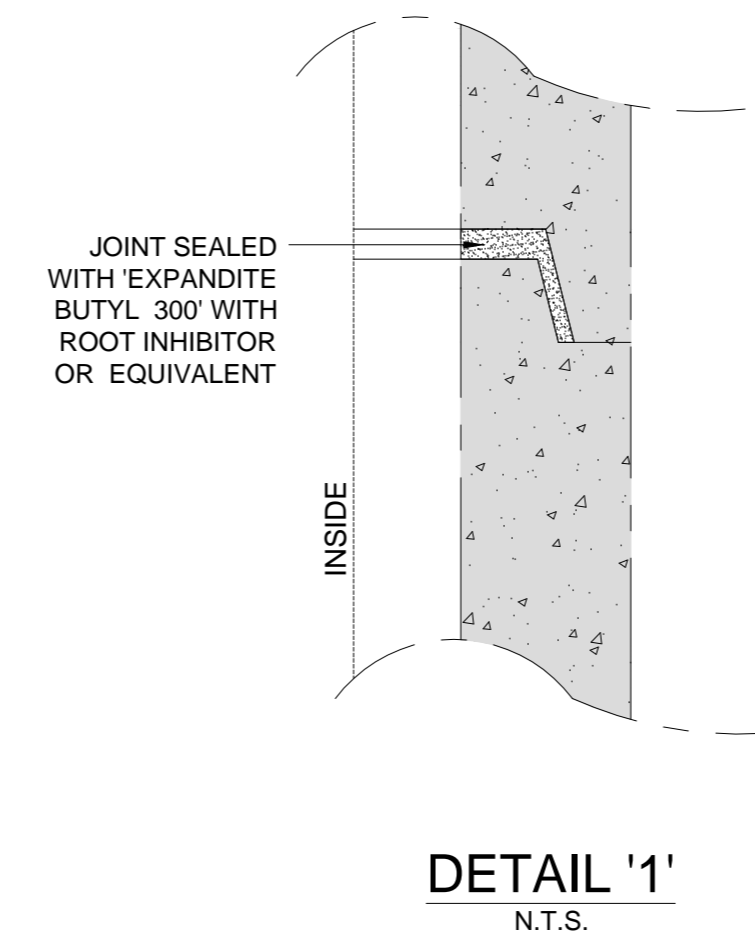
**PIPE BEDDING DETAILS**



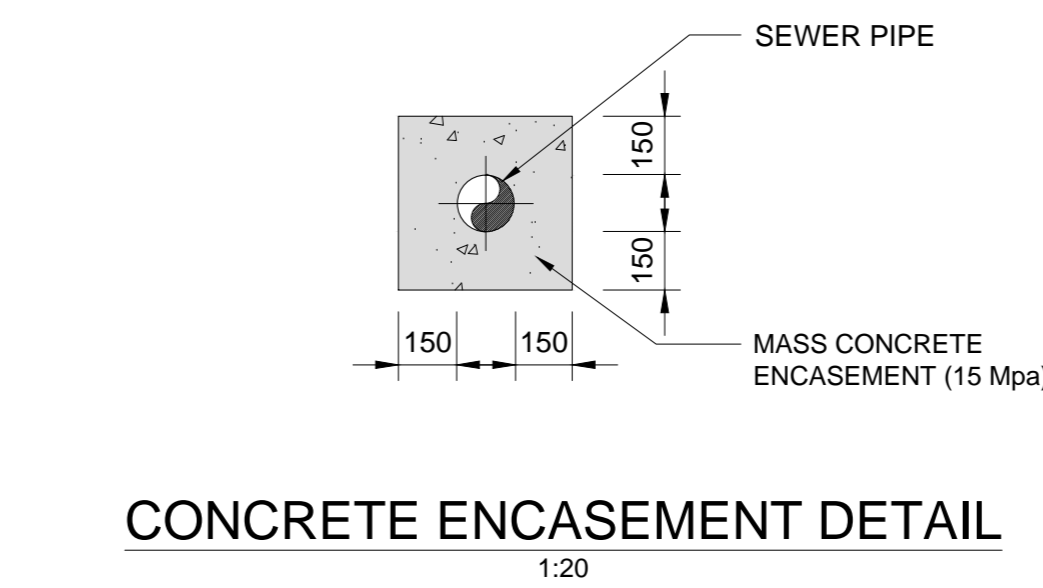
**SECTION E-E**  
1:20



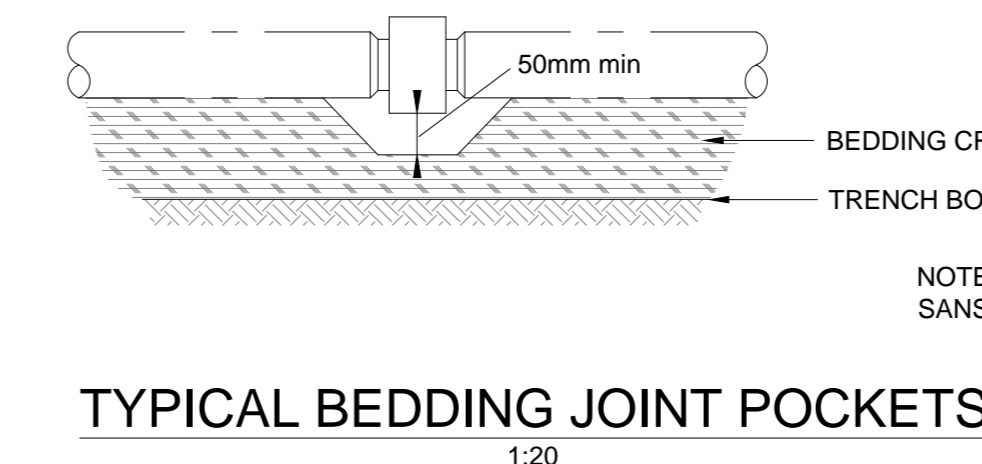
**TYPICAL MANHOLE DETAIL**  
1:20



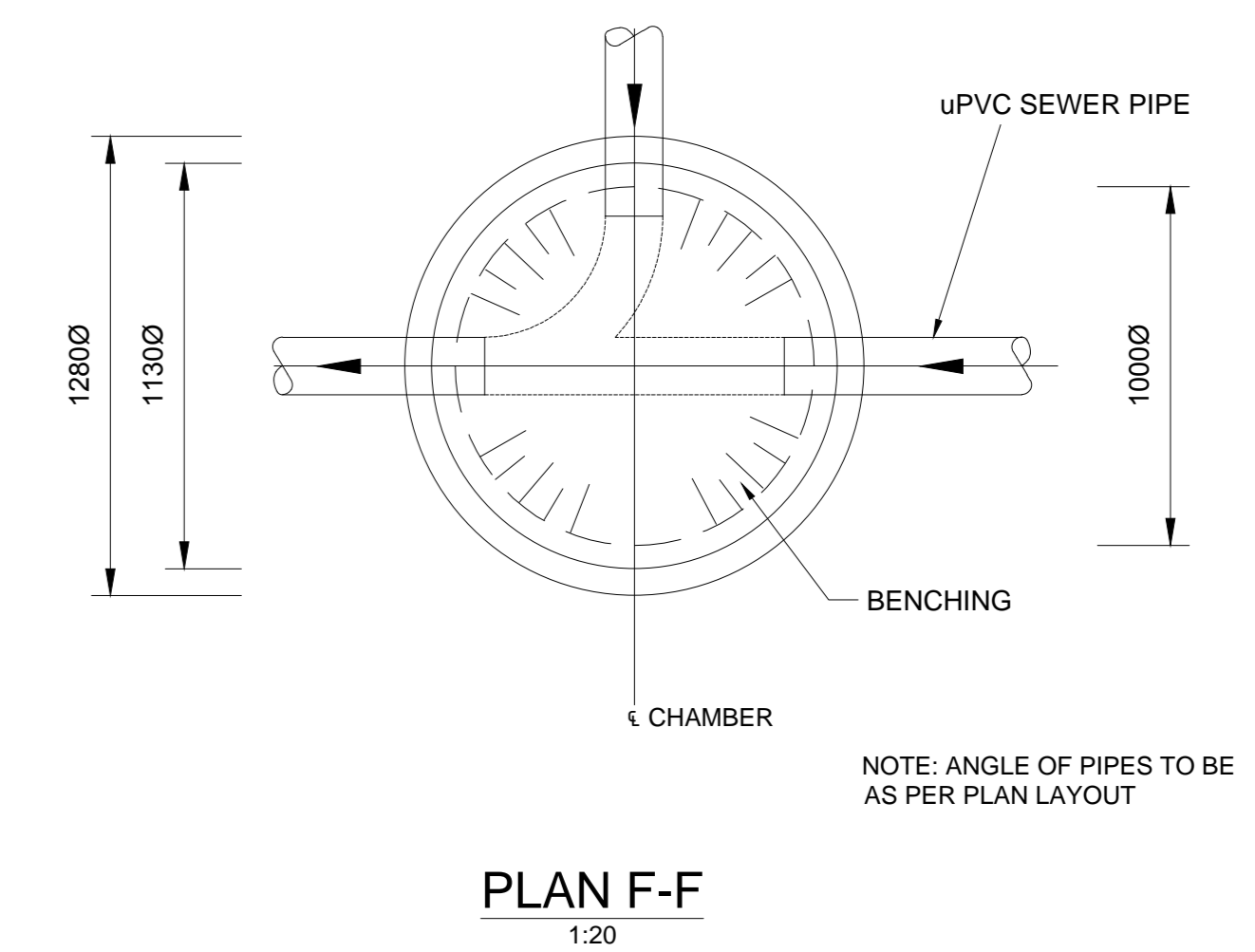
**DETAIL '1'**  
N.T.S.



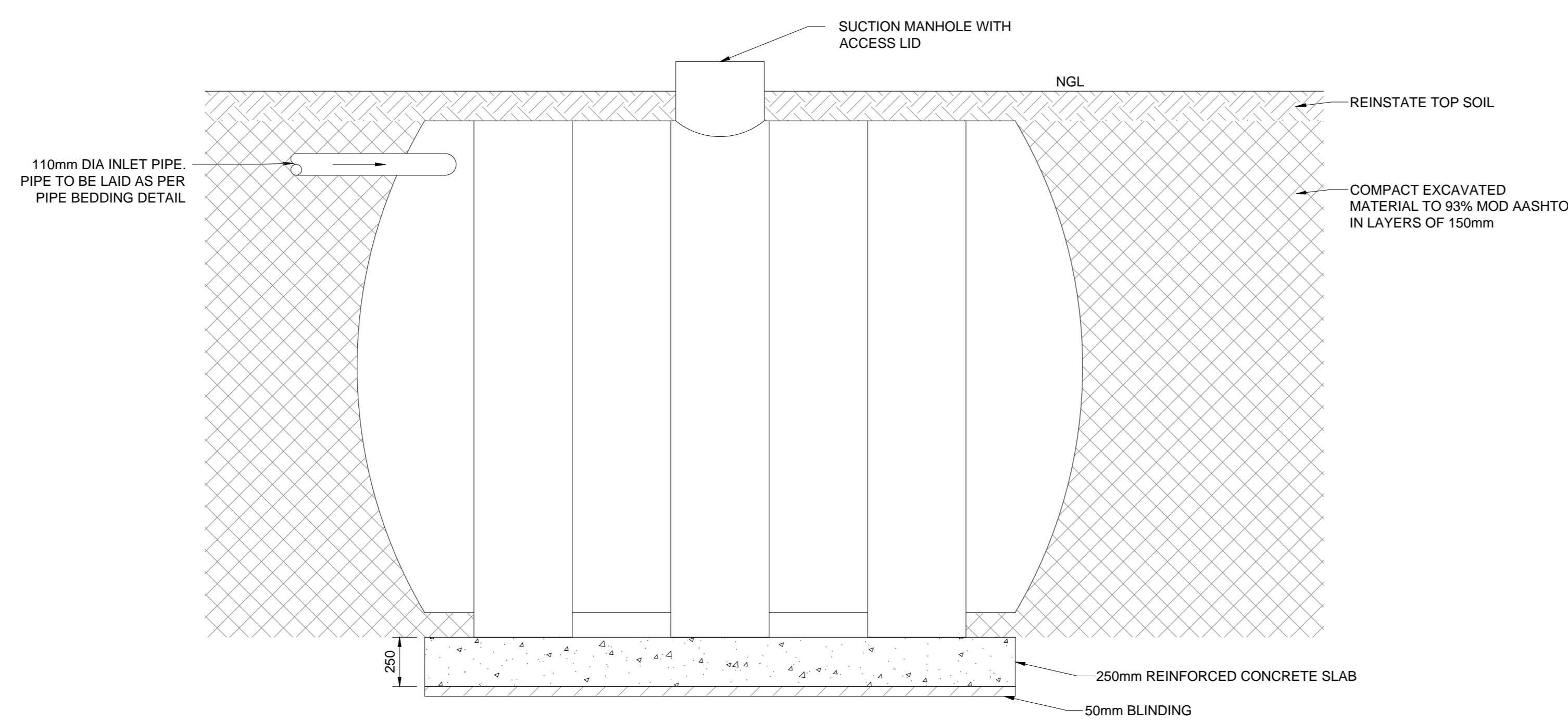
**CONCRETE ENCASEMENT DETAIL**  
1:20



**TYPICAL BEDDING JOINT POCKETS**  
1:20



**PLAN F-F**  
1:20



**TYPICAL CONSERVANCY TANK DETAIL**  
1:20

BUILDING TO BE SERVICED	MINIMUM CONSERVANCY TANK SIZE REQUIRED
ADMINISTRATION BUILDING	8500L
LOCOMOTIVE SHED	8500L
GUARD HOUSE	3200L

D.O.	REV	DATE	REVISION	REV	CHK	APP	APP	APP	APP	REFERENCE DRAWINGS	
AUTHORIZED FOR ESKOM BY:			REV CODE:			REV BY:			MEDUPI POWER STATION		
MODIFICATION BY:			REV PATH:			REV BY:			RAIL YARD - CIVIL SERVICES		
APPROVED BY:			REV CODE:			REV BY:			SEWER STANDARD DETAILS		
CHECKED BY:			REV CODE:			REV BY:			CONTRACTOR DRAWING NO.		
DESIGNED BY:			REV CODE:			REV BY:			1184-099-0.84-44322		
SCALE:			REV CODE:			REV BY:			ESKOM DRAWING NO.		
AS SHOWN			REV CODE:			REV BY:			084/44322		
			REV CODE:			REV BY:			SHT 01		
			REV CODE:			REV BY:			REV 0		